

ONAK

foldable origami canoe

manual

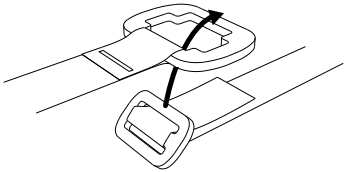
It will probably take a while to assemble your canoe for the first time,
but you will do a lot better once you have got the hang of it.
The more you fold the more the folding lines will start to loosen up.

video instructions?
how to paddle?

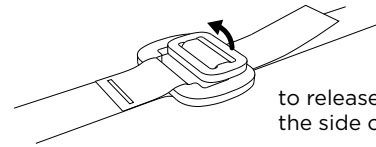
onakcanoes.com/instructions

before you start

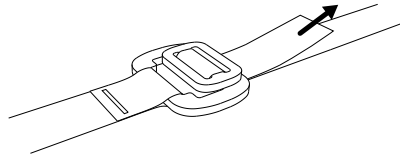
put the small buckle through the hole of the big buckle (loose end stays underneath)



to release the buckle, pull the side of the small buckle.



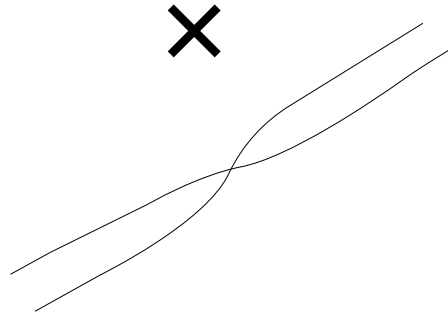
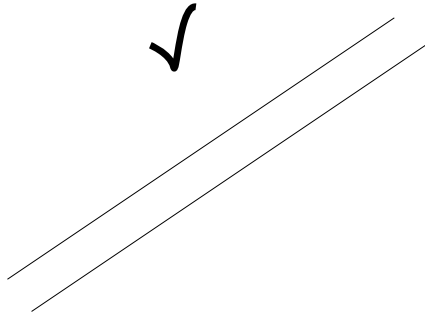
to tighten, pull the end of the loose strap

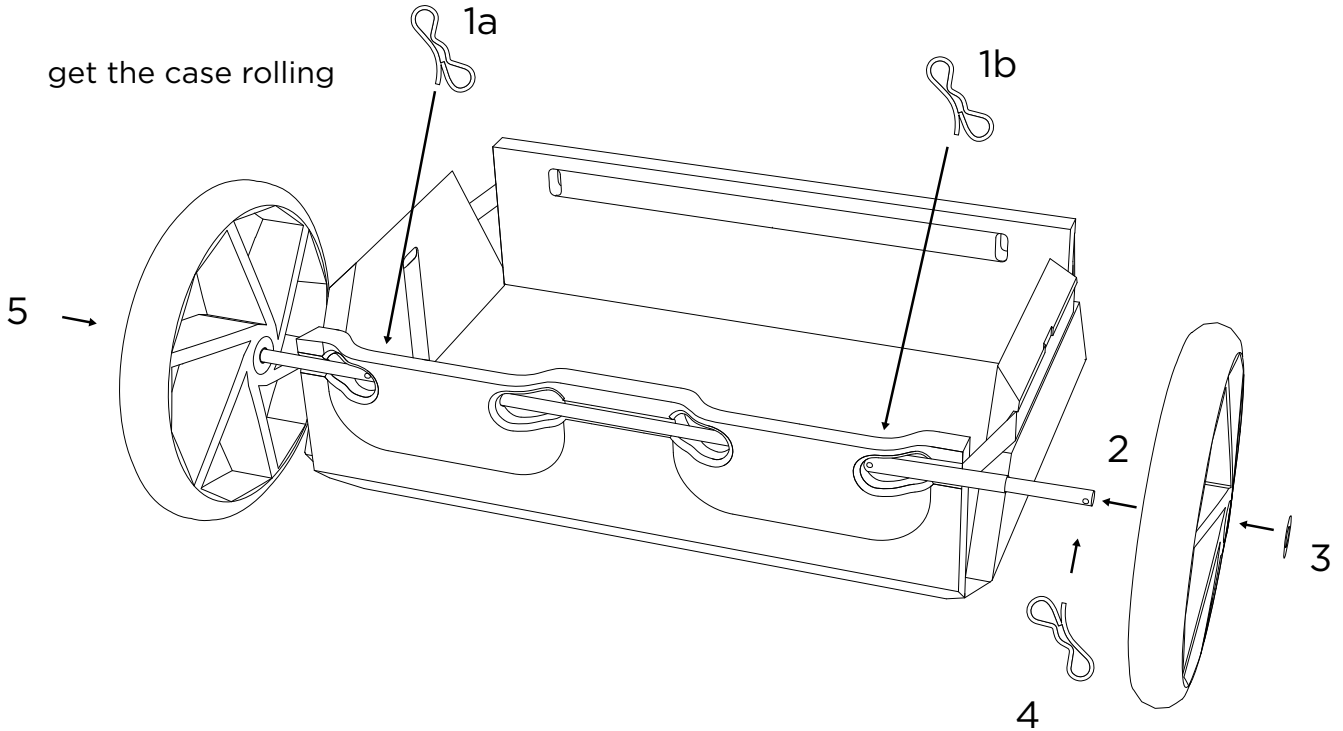


TIP
make sure your big buckle is not turned in the strap

before you start

straps should be straight, not twisted

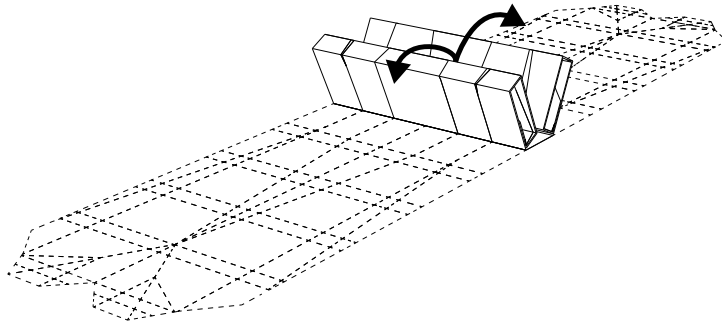
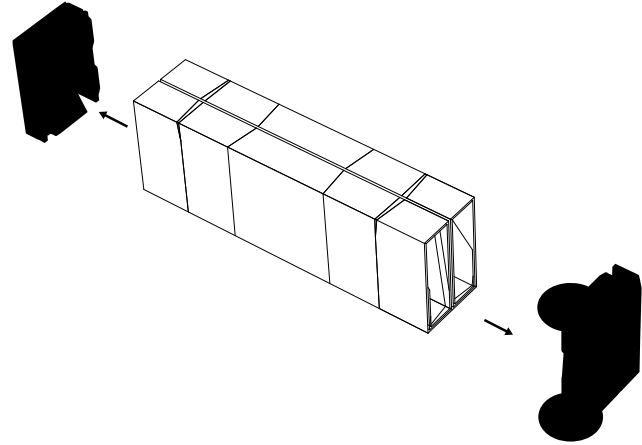




- 1 put the axle through the bottom lid and fix it in place with two clips
- 2 attach the wheel
- 3 place the washer behind the wheel
- 4 put a clip through the hole at the end of the axle to lock the wheels in place
- 5 repeat step 2, 3 and 4 for the other wheel

unfolding
from case to canoe

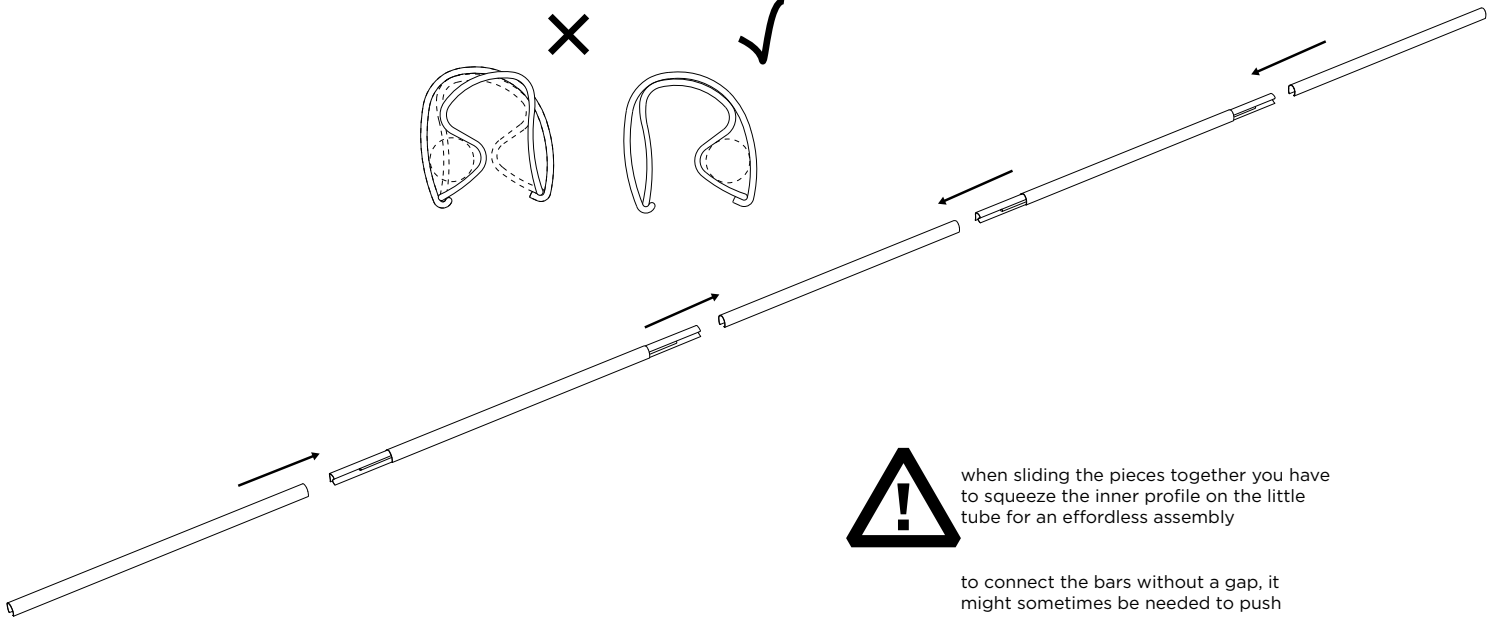
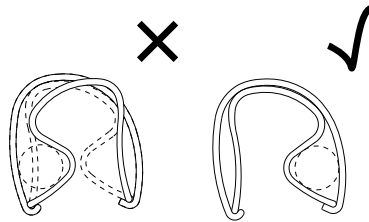
release the straps on the side of the case and
remove the upper and bottom lid



unroll the box to a flat panel

put everything inside the box (e.g. seats, ribs,
paddles, ...) aside

slide the five aluminum bars together in a small-big-small-big-small order (2x)

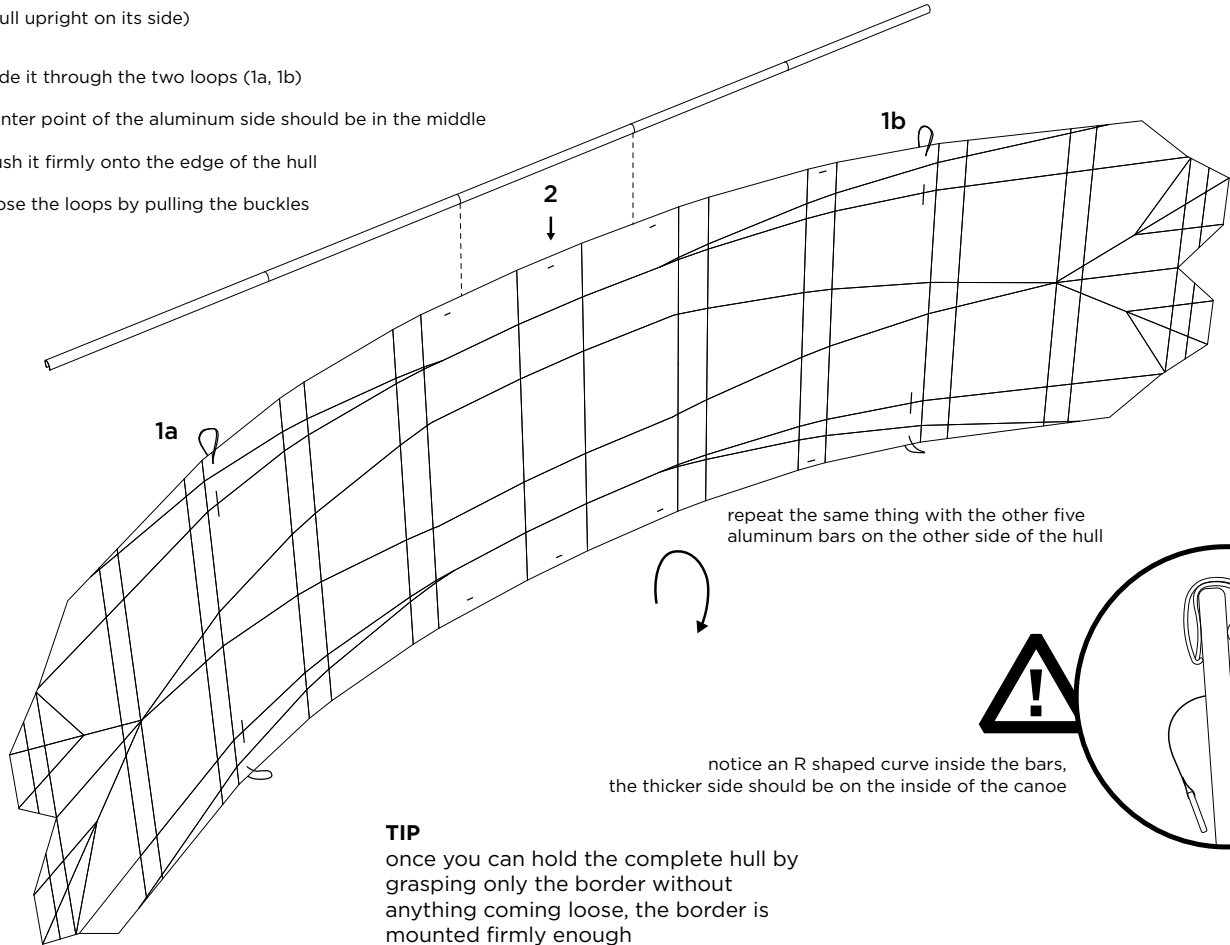


when sliding the pieces together you have to squeeze the inner profile on the little tube for an effortless assembly

to connect the bars without a gap, it might sometimes be needed to push them together firmly to close the last few millimeters

(put the hull upright on its side)

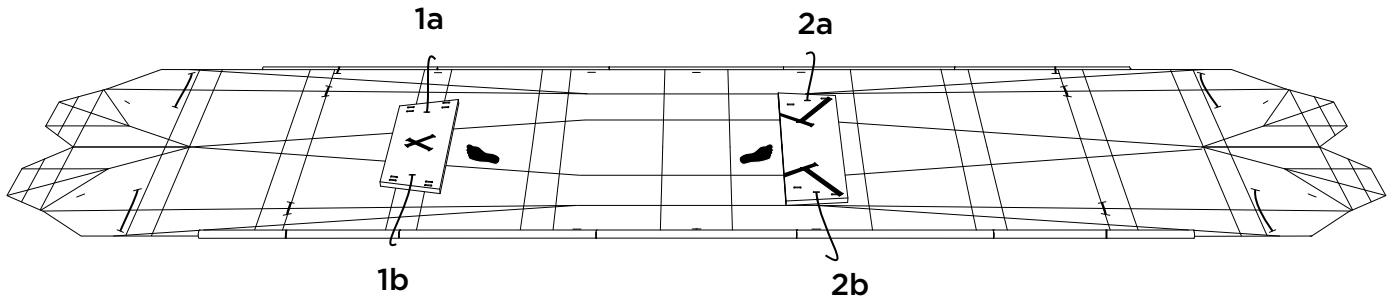
- 1 slide it through the two loops (1a, 1b)
- 2 center point of the aluminum side should be in the middle
- 3 push it firmly onto the edge of the hull
- 4 close the loops by pulling the buckles



place the seats on the correct spots on the hull

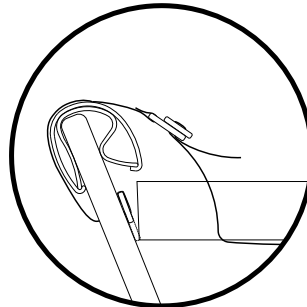
attach them at both sides whilst keeping tension

tighten the seat straps even more until both sides of each seat touch the borders of the canoe




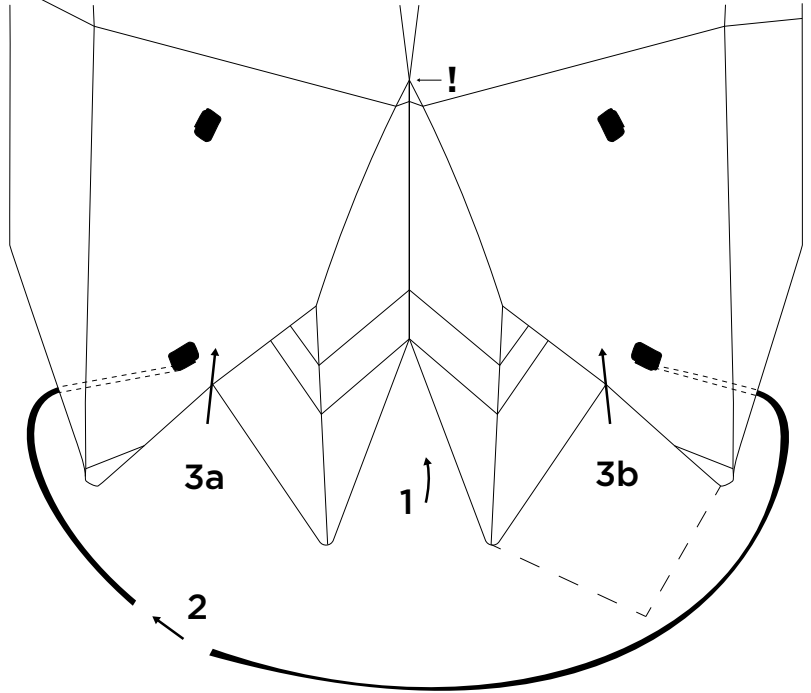
the sides of each seat point to the closest nose

on the side of the smaller seat you can find an extra attachment point



TIP

by placing your foot  inside the hull, you can tense the straps more easily

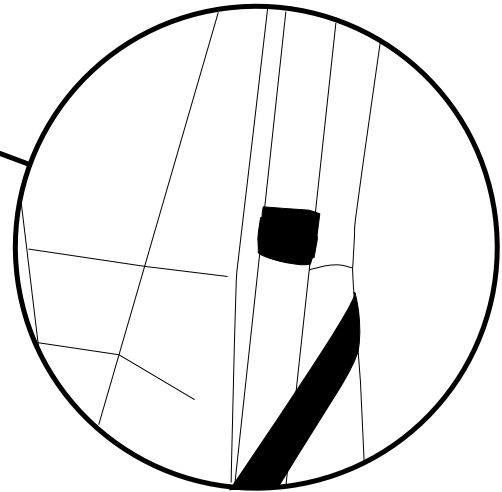
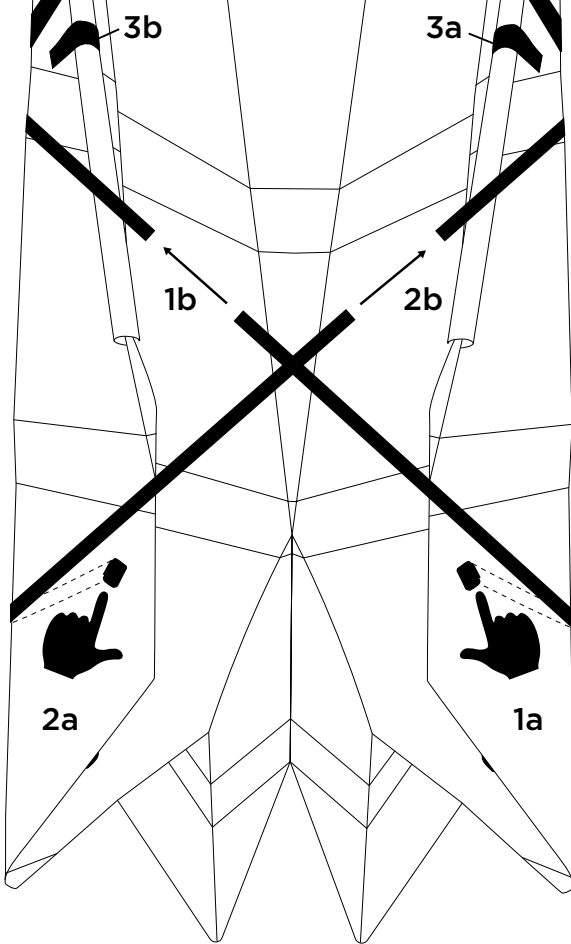


- 1 fold the nose in, whilst making sure it is folded till the end of the nose (!)
- 2 close the nose strap, and gently tie it down
- 3 push the small upper wings of the nose to the inside of the canoe

(repeat step 1, 2 and 3 for the other nose)



in this step it is very important that you don't close the nose strap completely



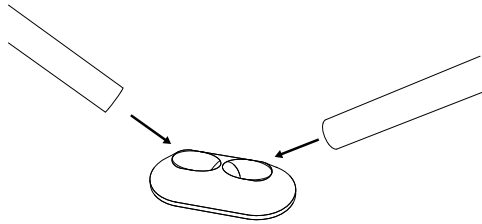
- 1 fold in the side triangle and pull the strap through the corresponding buckle on the other side

TIP

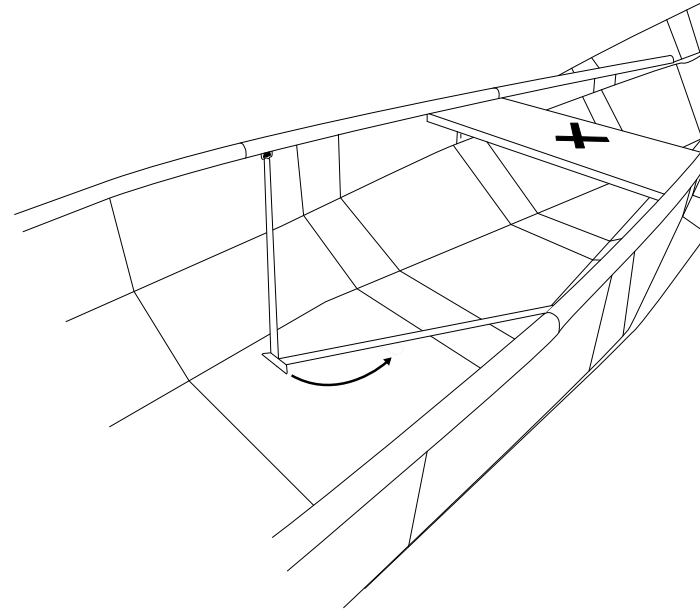
to be able to close and pull these straps well, you might have to push down the wings on the spot where the hands are drawn

- 2 do the same on the other side
- 3 tighten strap 1b and 2b firmly by simultaneously pushing hard on the corresponding spot (where the strap goes over the aluminium border)

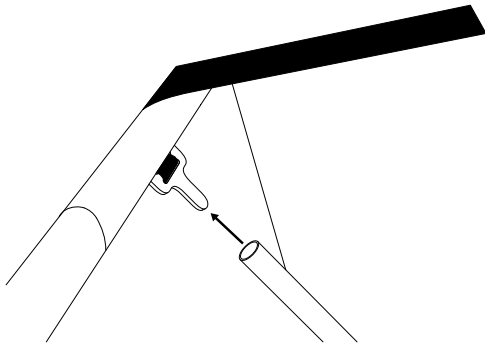
(repeat all steps for the other nose)



place an aluminum tube in each rubber foot



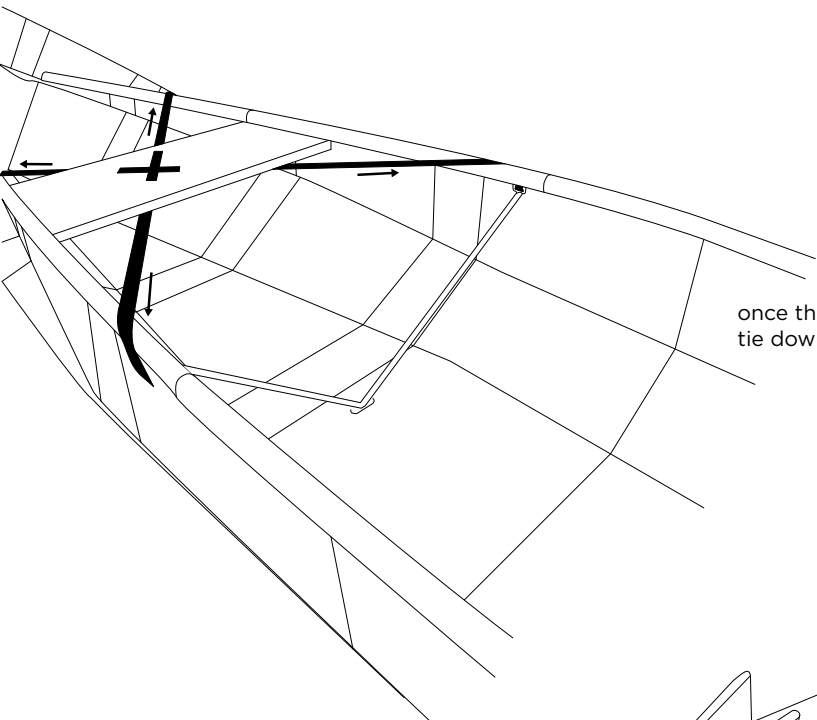
push the assembly so that the rubber foot comes to rest



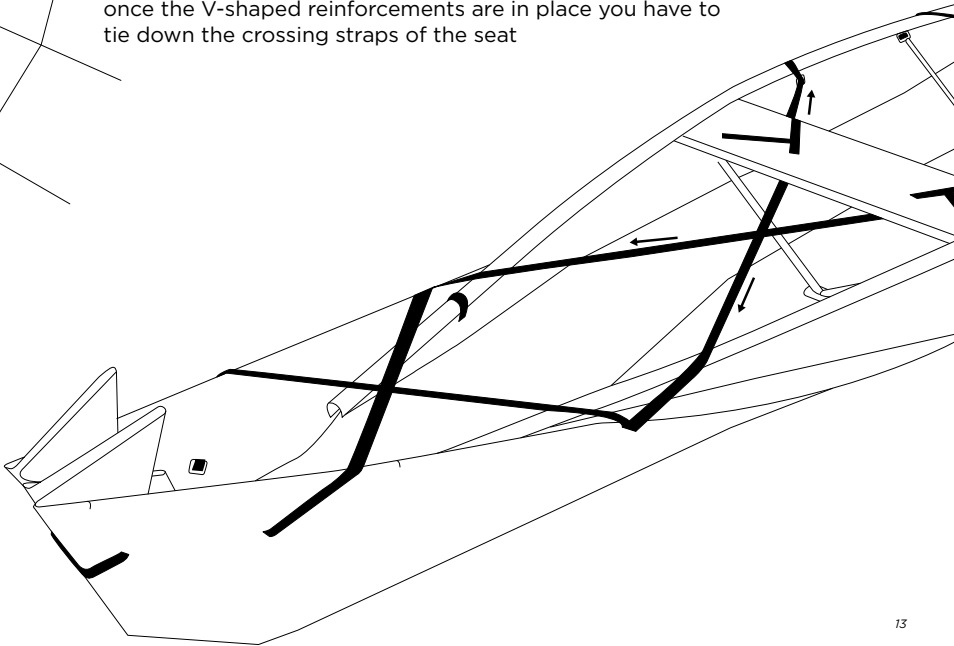
slide the other end of the tube over the protruding end of the buckle.

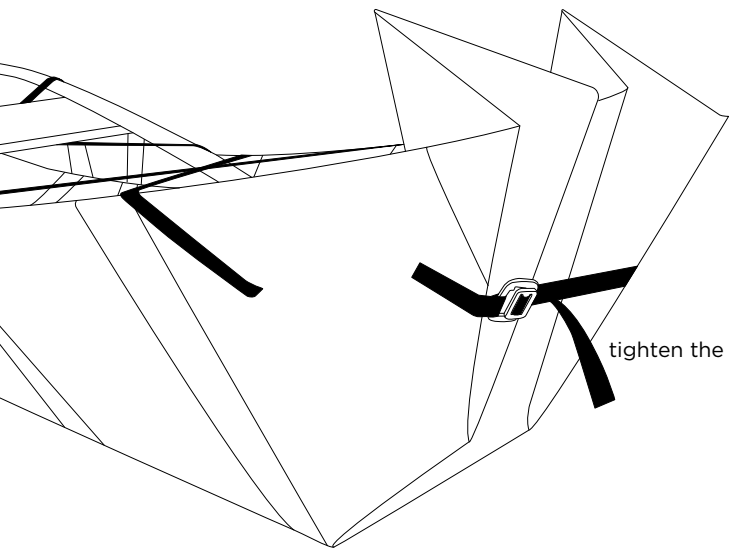
TIP

you might have to untighten/release and reattach the side buckles of the big seat a little to do this more easily



once the V-shaped reinforcements are in place you have to tie down the crossing straps of the seat



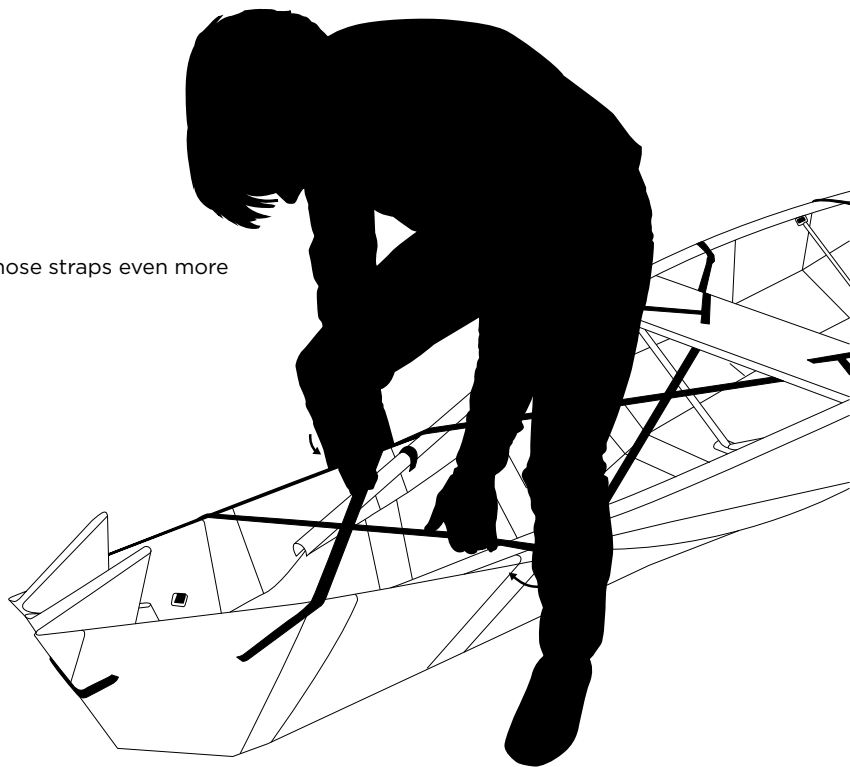


tighten the nose straps even more

once you have tightened all the straps firmly, your ONAK canoe is ready for the adventure

TIP

by using your legs to press the nose together, your hands are free to attach the straps more tightly





Our products are specifically designed with safety in mind, but canoeing always involves certain risks.

We strongly advise the use of a life jacket.

The ONAK canoe performs just as well as polyester and/or many high end composite canoes that are made to resist a scratch and a bump. This doesn't mean that we encourage you to willingly scratch it. Your boat will last longer when you are careful, and leave the scratches to those moments you won't see them coming.

It is advisable to clean the boat thoroughly at the folds. Especially sand can eventually affect the material.

paddling tips

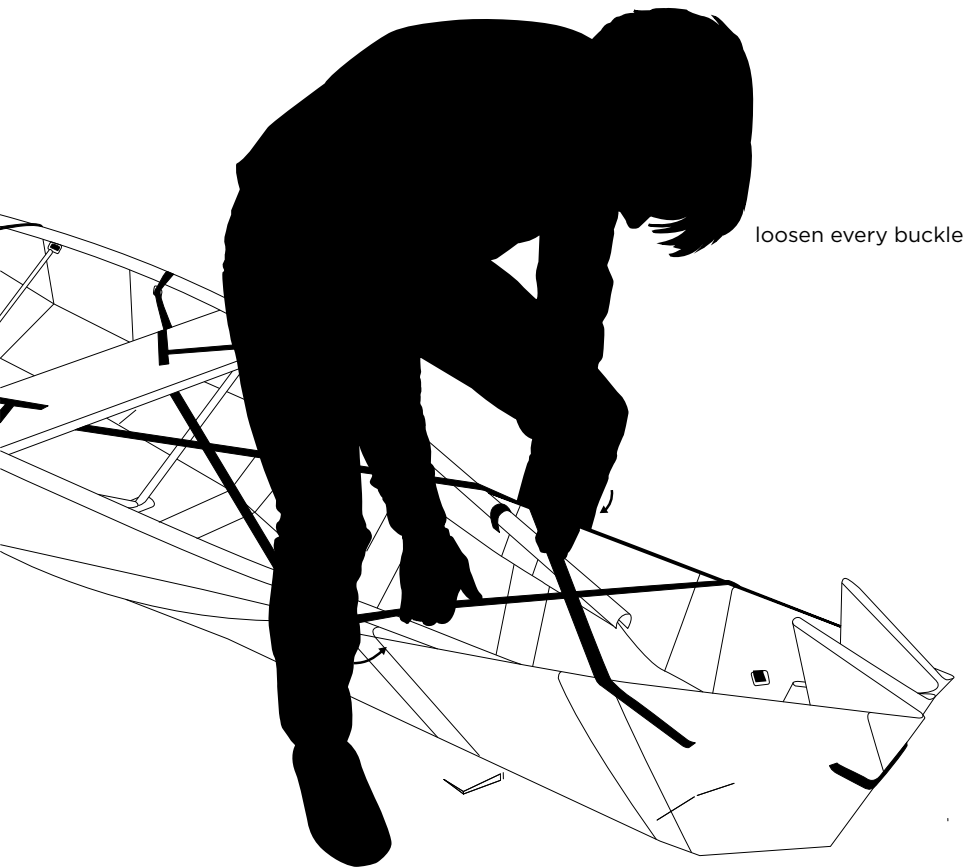
Most people sit most comfortably in the canoe with the legs slightly crossed.

When paddling you can use the lids as cushion or kneepad in your canoe.

When paddling solo and without luggage it is advisable to sit on the big front seat and paddle in the other direction.

You can leave one or two of the V-beams out for better stability while knee paddling on white water (this however brings down the speed and manoevrability of the canoe).

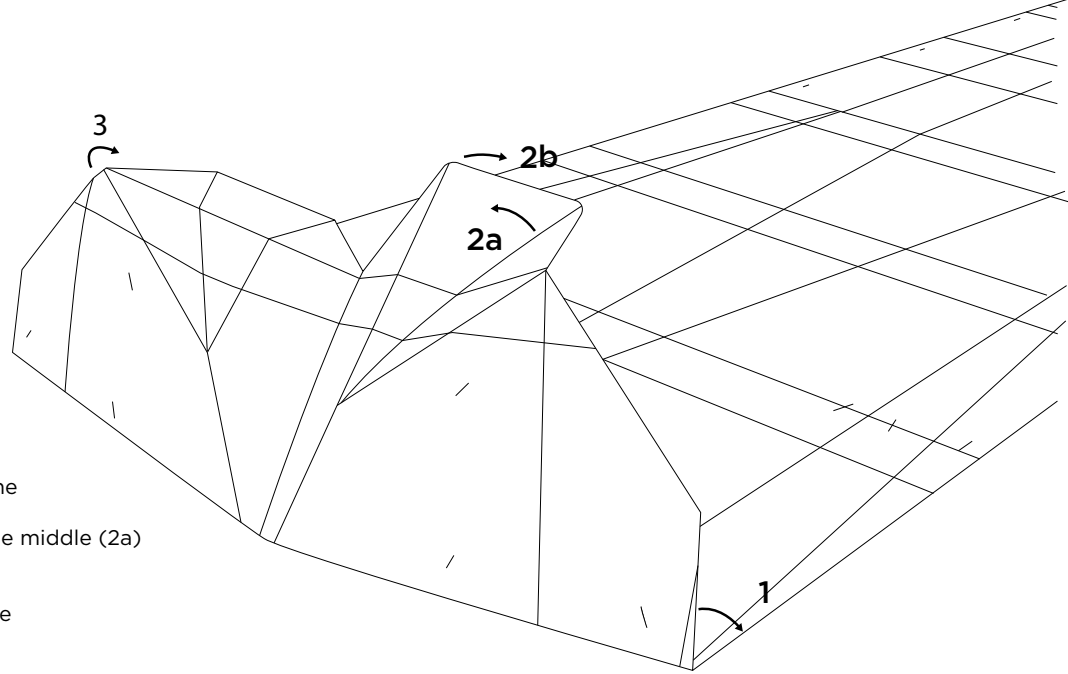
folding
from canoe to case



loosen every buckle

take off every part you've attached to the canoe when assembling

TIP
to easily loosen the buckles at the tip of the canoe, squeeze the noses between your legs



- 1 fold the boat on the third folding line
- 2 flatten the upper wing by pulling the middle (2a) and pushing on the side (2b)
- 3 fold the wing on the first folding line

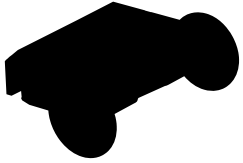
TIP
 you can make the hull hold this position with the weight of a paddle

(do the same for the other wing)

- 4 start rolling the hull in a spiral to the middle

TIP
 you can make the hull hold this position with your left elbow

(repeat all the steps for the other side until you end up with the case)



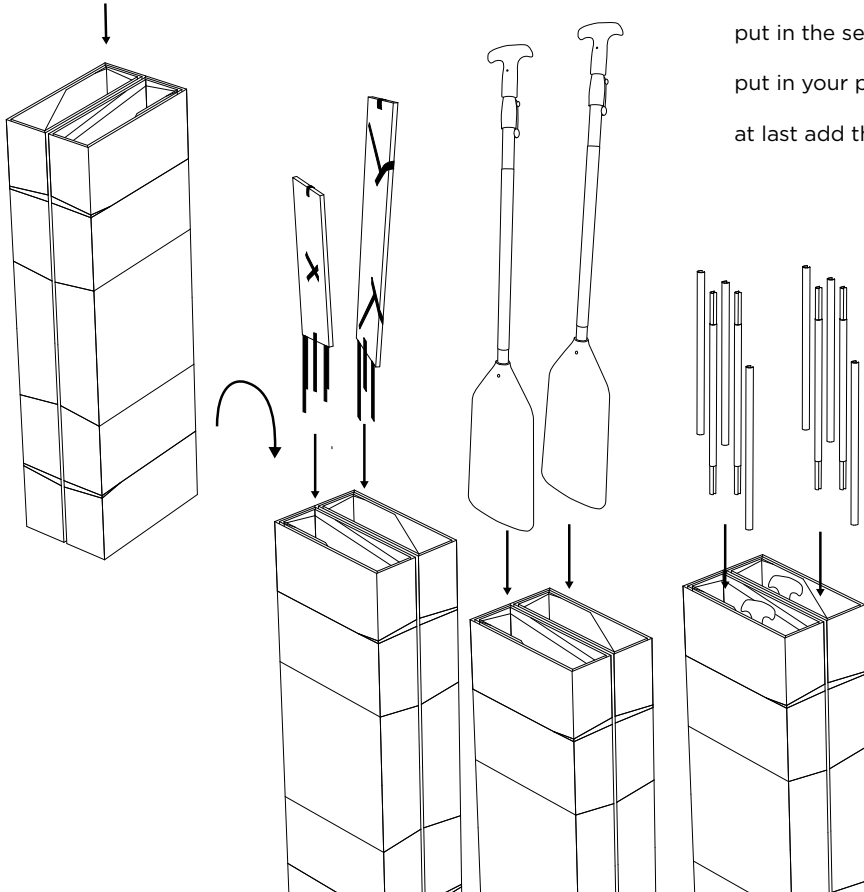
put the bottom lid with the wheels over the rolled up case*

turn the case upside down

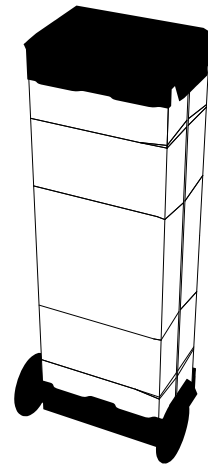
put in the seats, each on one side

put in your paddles, each on one side

at last add the bars, tubes and anything personal



once you have put on the top lid and strapped it to the bottom lid of the suitcase you're ready to roll



On onakcanoes.com we invite you to connect with other users and exchange adventures.

At ONAK we take feedback extremely seriously, as it helps us enhance both the products we sell and the services we provide.

